

VALVULA DE ARRANQUE PROGRESIVO. SERIE GV

SLOW START VALVES. GV SERIES



GARCIA MARIN SYSTEM, S.L.
www.gmsystem.net

Preparation unit—Accessories

GV Series soft-start valve



AIRTAC

Specification

Model	GV200-06	GV200-08	GV300-08	GV300-10	GV300-15	GV400-10	GV400-15
Fluid	Air						
Port size	1/8"	1/4"	1/4"	3/8"	1/2"	3/8"	1/2"
Pressure range	0.25~0.9MPa(35~130Psi)						
Proof pressure	1.5 MPa(215Psi)						
Temperature range	-20~70°C						
Acting type	Solenoid control						
Exhaust port size	1/4"		3/8"			1/2"	
Power connection	Terminal, Grommet						
Standard voltage	AC220V, 110V, 24V(50/60Hz); DC12V, 24V						
Voltage range	-15%~+10%						
Insulation	Class B						
Power consumption	AC: 3.5VA; DC: 2.5W						
Option pressure gauge	F: Square pressure gauge; C: Circular pressure gauge						
Suitable F.R.L type	GC200-06	GC200-08	GC300-08	GC300-10	GC300-15	GC400-10	GC400-15

Ordering code

GV300 — 10 — □ — F 1 — A — G

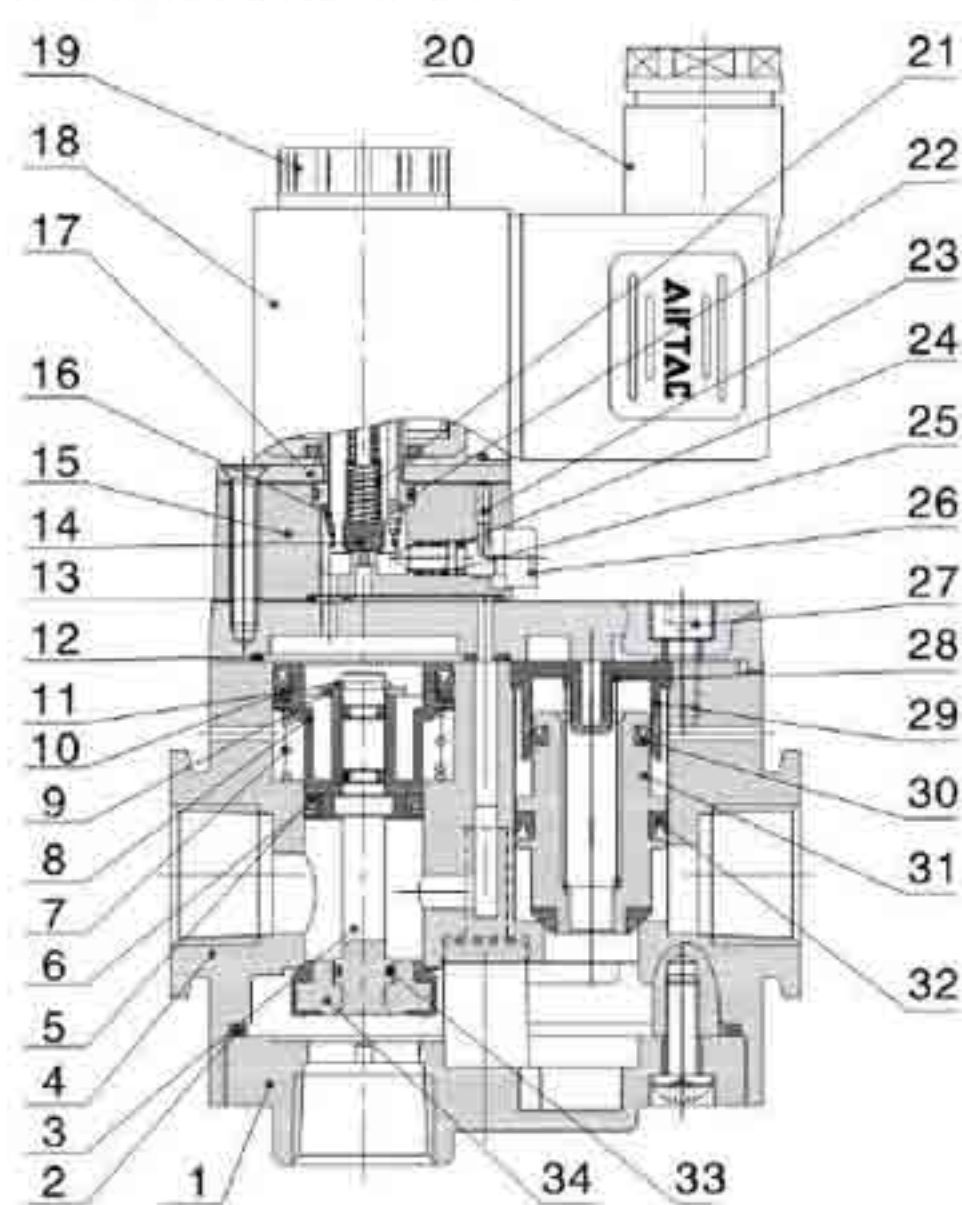
Model	Port size	Pressure gauge	Scale	Thread
GV200: 200 Series Soft start-up valve	06: 1/8" 08: 1/4"	Blank: Pressure gauge N: No pressure gauge	1: MPa 2: psi 3: bar	G: G P: PT
GV300: 300 Series Soft start-up valve	08: 1/4" 10: 3/8" 15: 1/2"			
GV400: 400 Series Soft start-up valve	10: 3/8" 15: 1/2"			

Pressure gauge shape
F: Square
C: Circular

Voltage
A: AC220V(50/60Hz)
B: DC24V
C: AC110V(50/60Hz)
E: AC24V(50/60Hz)
F: DC12V

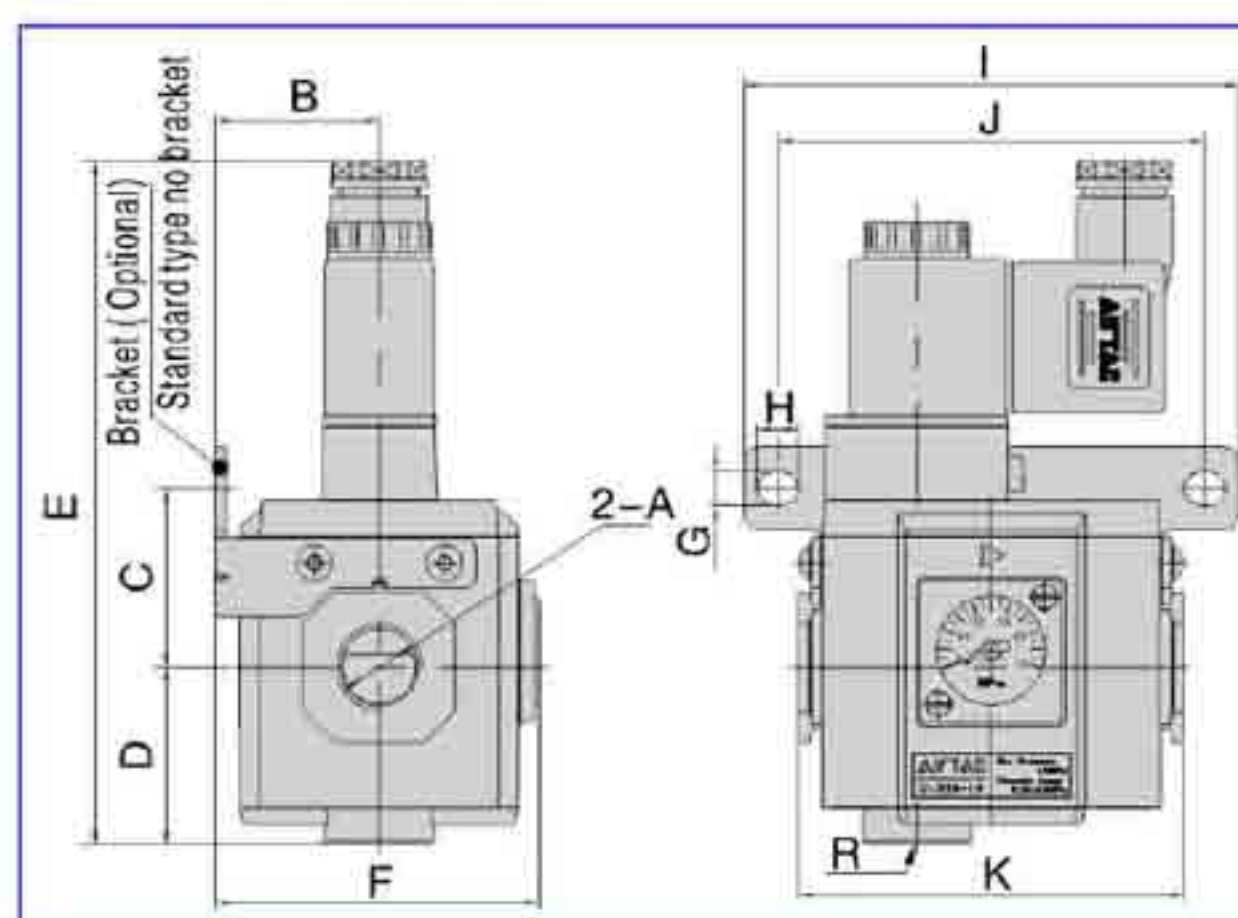
Note: When it is used with F.R.L. combination, extra mounting bracket is need. Please refer to P II -18 for order detail.

Inner structure



NO.	Item	NO.	Item
1	Bottom cover	18	Coil set
2	Gasket	19	Nut
3	Spool	20	Connector
4	Body	21	Spring
5	O-ring	22	O-ring
6	O-ring	23	Manual override block
7	Spring	24	O-ring
8	Inlet piston	25	Spring
9	Piston gasket	26	Manual override
10	O-ring	27	Fixed screw
11	Snap ring	28	Spring
12	Gasket	29	Valve cover
13	Gasket	30	O-ring
14	Gasket	31	Valve spool
15	Pilot kit	32	O-ring
16	Spring	33	O-ring
17	Fixed plate	34	Inlet plug

Dimensions

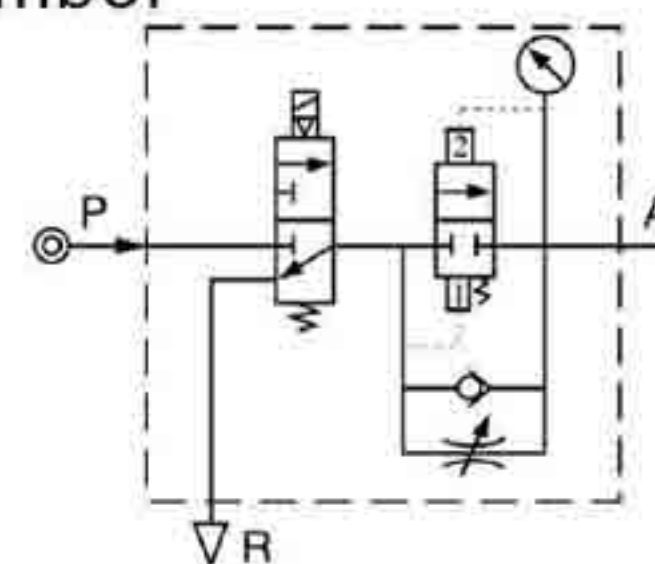


Item/Model	GV200		GV300			GV400	
	06	08	08	10	15	10	15
A	1/8"	1/4"	1/4"	3/8"	1/2"	3/8"	1/2"
B	24.5		31.5			40.5	
C	30.5		34.5			39	
D	30		34			40.5	
E	123.5		131			142.5	
F	57		62.5			80	
G	5.5		6.5			8.5	
H	8		8			11	
I	80		95			120	
J	67		82			102	
K	59		74			90	
R	1/4"		3/8"			1/2"	



GV

Symbol



Product feature

Soft start-up valve is used to input compressed air into pneumatic system slowly and has the effect of safety and protection. Air intake is connected with the input P of Soft start-up valve. If coil is energized, the 3/2 way valve opens. At this time, a little air comes to output A through throttle valve, which increases the pressure of the system gradually; when the output pressure is equal the half of the input pressure, Soft start-up valve completely opens and the flow at this time reaches the highest value of itself. When the coil is de-energized, air intake P closes, the air returns to R orifice through reflux valve and is quickly exhausted. The pressure of the system falls to zero, which protects the whole system.

Attention

Manually adjust the "+" and "-" throttle screw at the bottom of the soft start-up valve as per the requirement of start speed. It shall go slowly, otherwise sudden acting of the product or system shall be caused with a heavy impact.

